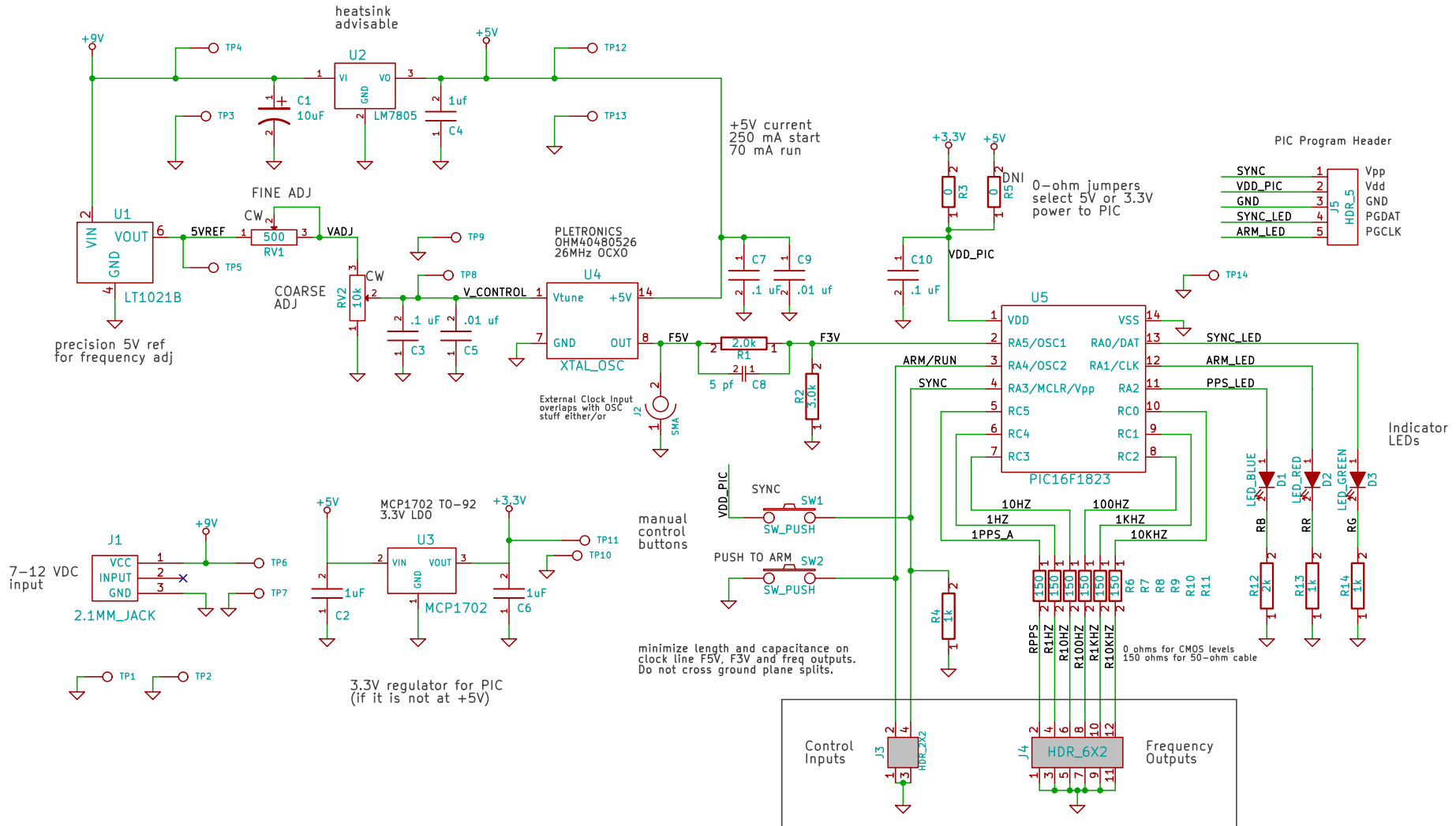


PIC DECADE FREQUENCY DIVIDER

outputs: 1 Hz, 10 Hz, 100 Hz, 1 kHz, 10 kHz

Frequency drift in 1 hour with PLE 26 MHz OCXO: about 1 ppb ($1E-9$)

PIC-based decade divider code by tvb (Tom Van Baak)
www.leapsecond.com/tools/PPSDIV.A5M
 mods by Richard H McCorkle at TAPR www.tapr.org
 26 MHz version by John Beale
www.bealecorner.org/best/measure/time/source/



Beale Corner www.bealecorner.com	
File: 26MHz-OSC1.sch	
Sheet: /	
Title: Decade Frequency Generator	
Size: A4	Date: 19 oct 2011
KiCad E.D.A.	Rev: 01
	Id: 1/1